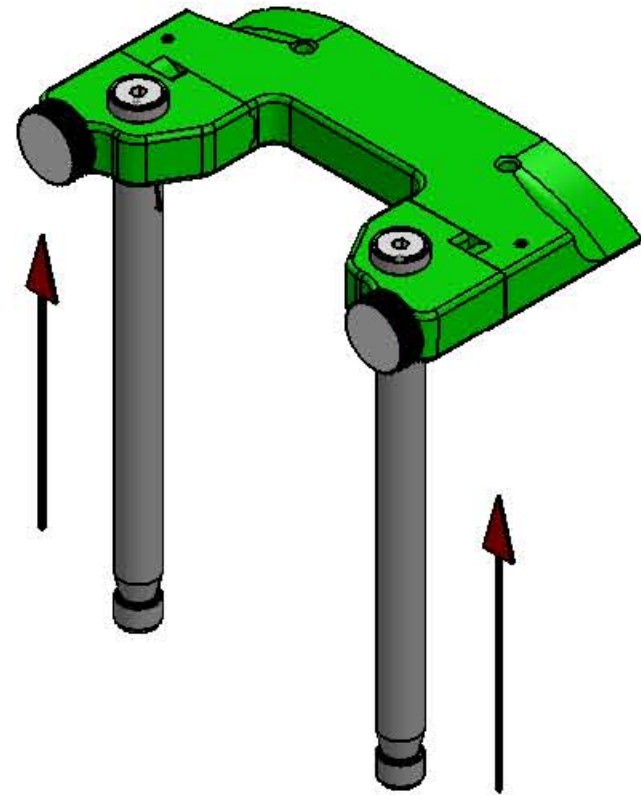


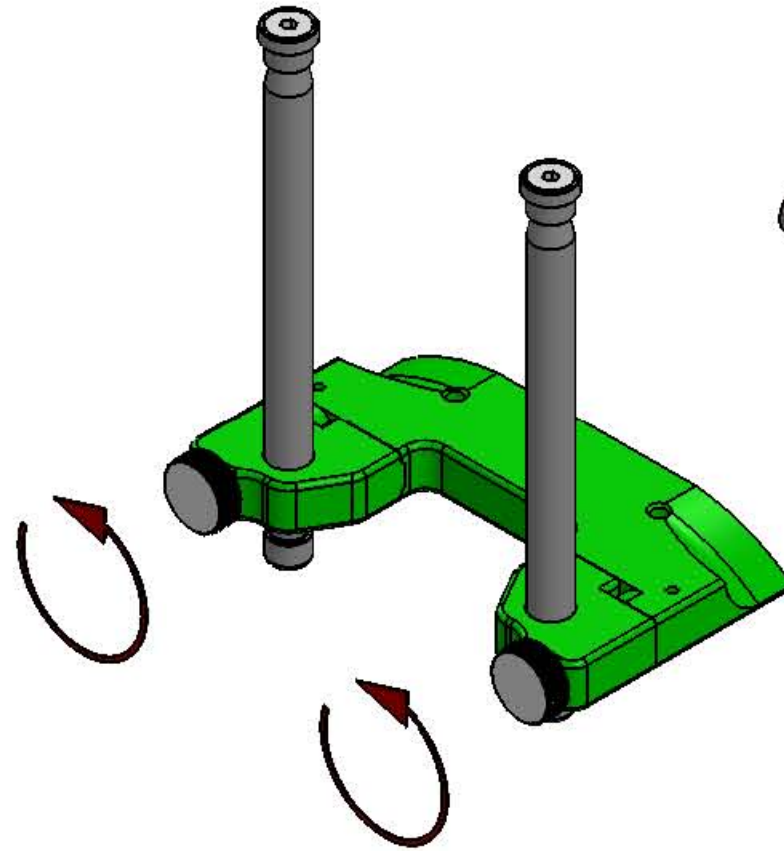
## **OPERATION INSTRUCTIONS:**

FOLLOW THESE STEPS TO PLACE POSITIONER IN THE STERILIZATION CASE.



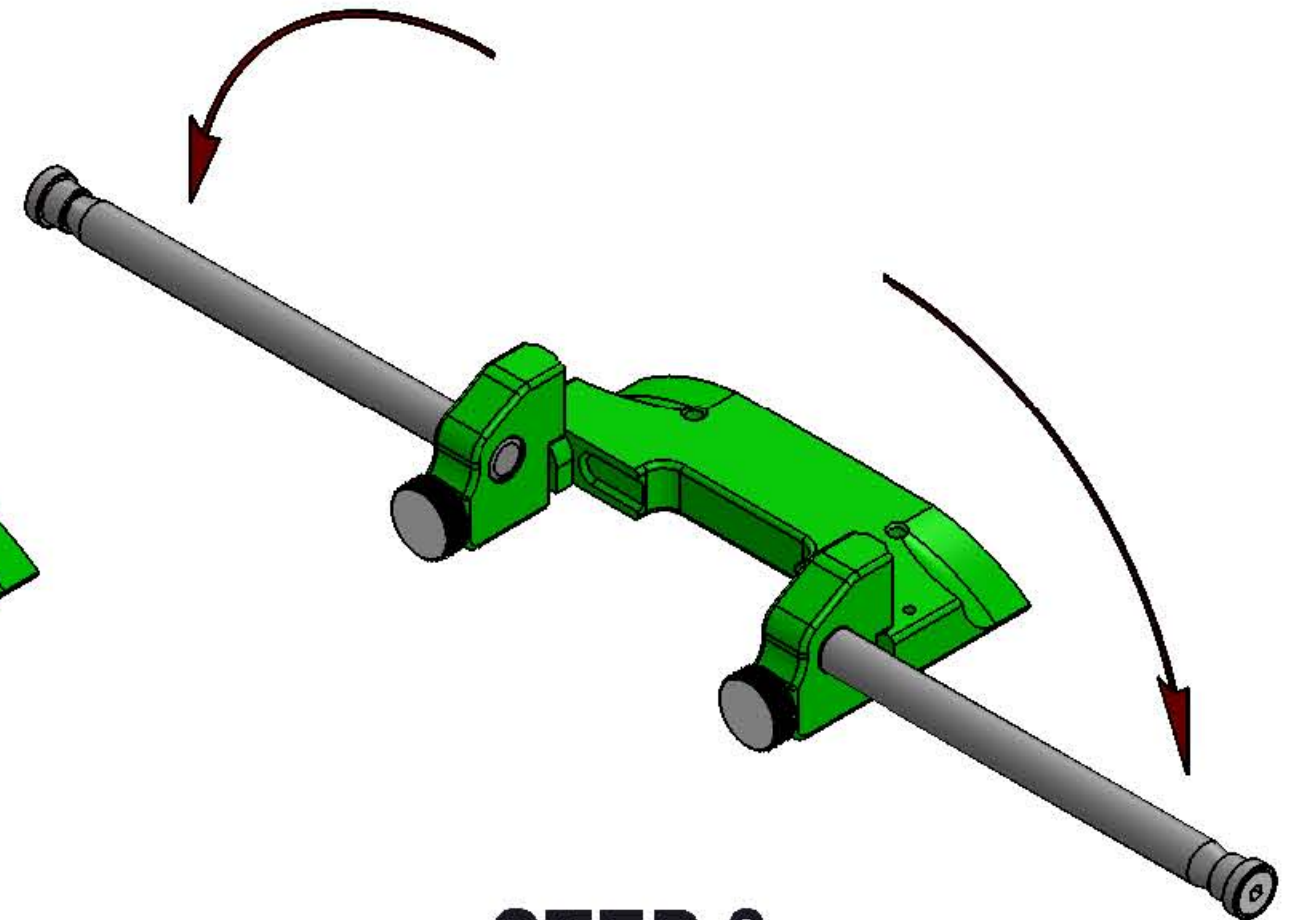
### **STEP 1:**

MOVE PINS TO UPRIGHT POSITION



### **STEP 2:**

LOOSEN KNURL KNOBS  
UNTIL THEY STOP TURNING



### **STEP 3:**

FOLD PINS DOWN  
TO HORIZONTAL POSITION

## **NOTE:**

REVERSE STEPS AND DIRECTIONS BEFORE USE.

**FOLDING PIN CLAMP BASE**

**CAT.# 1210**

**860-793-0391**

**IMP MEDICAL.COM**